



Sealrite Australia

Specialists in Mechanical Seal Engineering for 51 Years

D2320

SINGLE

CARTRIDGE SEAL

DETAILS:

- ▶ Single Seal
- ▶ Balanced
- ▶ Inside mounted
- ▶ Bidirectional Rotation
- ▶ Spring Stationary
- ▶ No Seal Chamber Modification Required
- ▶ Suits ANSI Normal & Wide bore Pumps
- ▶ Easy Installation
- ▶ Reduce Installation Errors
- ▶ Monolithic Seal Faces
- ▶ Protected Springs

APPLICATIONS:

- ▶ Paper and Pulp industry
- ▶ Power Plant Technology
- ▶ Process Industries
- ▶ Petrochemical Industry
- ▶ Water & Waste Water Industry
- ▶ Food & Beverage Industry
- ▶ Mining Industry
- ▶ Chemical Industry



OPERATING RANGE :

Shaft Diameter	: 25 mm to 100 mm (1.000" to 4.000")
Pressure	: 12 bar(max)
Temperature	: -40°C... to +280°C
Speed	: Up to 3000 RPM

MATERIALS OF CONSTRUCTION :

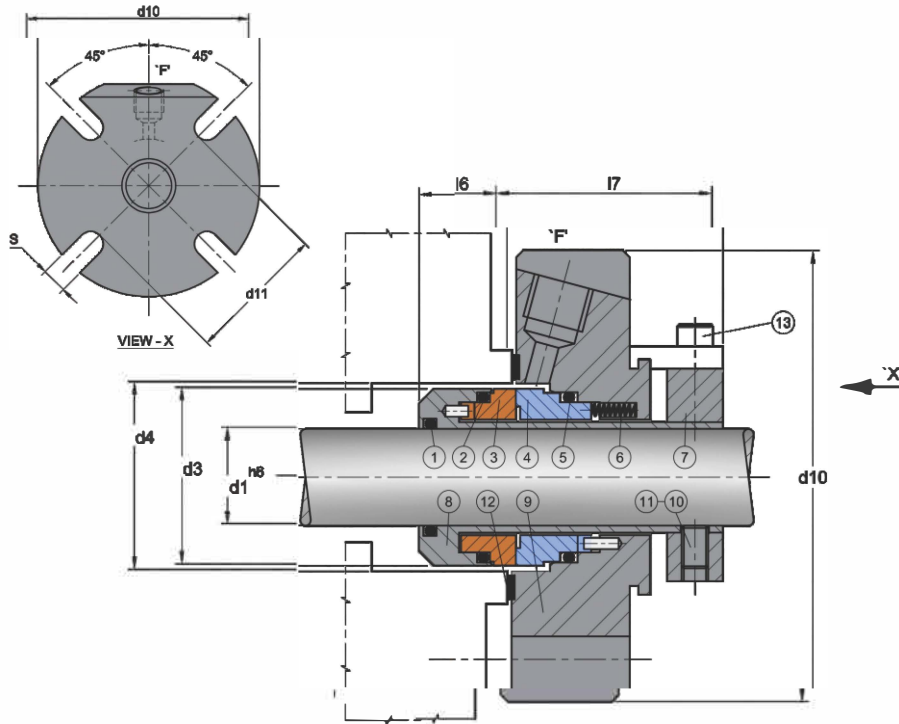
Rotary Faces	: Silicon Carbide, Tungsten Carbide
Stationary Faces	: Silicon Carbide, Tungsten Carbide, Carbon
Metal Parts	: SS 316, Alloy-20, Hast-C
Elastomers	: NBR, VITON, EPDM, PTFE, KALREZ, AFLAS, SILICON, TV



Sealrite Australia

Specialists in Mechanical Seal Engineering for 51 Years

D2320 - SINGLE CARTRIDGE SEAL



ITEM	DESCRIPTION
2	'O' Ring
3	Rotary Face
4	St. Face
5	'O' Ring
6	Spring
7	Drive Collar

DIMENSIONS (INCH SIZES)

d1	d3	d4	l6	l7	d10	d11	s
25.40	40.0	41.27	18.5	38.7	101.6	56.5	14.0
28.57	43.0	44.45	18.5	38.7	105.0	61.5	14.0
31.75	49.8	50.80	18.5	38.7	108.0	63.5	14.0
34.92	49.8	50.80	18.5	38.7	108.0	68.5	14.0
38.10	56.0	57.15	18.5	38.7	114.3	71.5	14.0
41.27	59.2	60.32	18.5	38.7	125.0	75.5	14.0
44.45	62.5	63.50	18.5	38.7	127.0	77.8	14.0
47.62	65.6	67.6	18.5	38.7	130.0	81.0	14.0
50.80	68.0	70.0	18.5	38.7	139.7	84.0	14.0
53.97	72.0	74.0	18.5	38.7	140.0	89.0	18.0
57.15	75.2	77.2	18.5	38.7	149.0	92.0	18.0
60.32	78.0	79.37	18.5	38.7	157.0	97.0	18.0
63.50	81.6	83.5	24.6	42.4	170.0	101.0	18.0
66.67	84.8	86.8	24.6	42.4	177.8	103.0	18.0
69.85	93.0	95.0	24.6	42.4	177.8	111.0	18.0
76.20	100.0	102.0	26.6	57.4	190.0	129.0	18.0
79.37	103.1	104.7	26.6	57.4	195.0	132.0	18.0
82.55	106.4	108.4	26.6	57.4	195.0	135.0	18.0
85.72	110.0	112.0	26.6	57.4	198.0	139.0	22.0
88.90	113.0	115.0	26.6	57.4	198.0	142.0	22.0
92.07	116.0	118.0	26.6	57.4	205.0	145.0	22.0
95.25	119.0	120.7	26.6	57.4	208.0	148.0	22.0
101.6	125.4	127.0	26.6	57.4	218.0	154.0	22.0

DIMENSIONS (METRIC SIZES)

d1	d3	d4	l6	l7	d10	d11	s
25.0	40.0	41.0	18.5	38.7	101.6	56.5	14.0
28.0	43.0	44.0	18.5	38.7	105.0	61.5	14.0
30.0	48.0	49.0	18.5	38.7	105.0	61.5	14.0
32.0	49.8	51.0	18.5	38.7	108.0	63.5	14.0
33.0	49.8	51.0	18.5	38.7	108.0	68.5	14.0
35.0	49.8	51.0	18.5	38.7	108.0	68.5	14.0
38.0	56.0	57.2	18.5	38.7	114.3	71.5	14.0
40.0	58.0	59.0	18.5	38.7	125.0	72.5	14.0
43.0	60.5	61.5	18.5	38.7	127.0	77.8	14.0
45.0	62.5	63.5	18.5	38.7	127.0	77.8	14.0
48.0	65.6	67.6	18.5	38.7	130.0	81.0	14.0
50.0	68.0	70.0	18.5	38.7	139.7	84.0	14.0
54.0	72.0	74.0	18.5	38.7	140.0	89.0	18.0
55.0	75.2	77.2	18.5	38.7	149.0	89.0	18.0
60.0	78.0	79.4	18.5	38.7	157.0	97.0	18.0
65.0	84.8	86.8	24.6	42.4	177.8	103.0	18.0
70.0	93.0	95.0	24.6	42.4	177.8	111.0	18.0
75.0	100.0	102.0	26.6	57.4	190.0	129.0	18.0
80.0	106.4	108.4	26.6	57.4	195.0	135.0	18.0
85.0	110.0	112.0	26.6	57.4	198.0	139.0	22.0
90.0	116.0	118.0	26.6	57.4	205.0	145.0	22.0
95.0	119.0	120.7	26.6	57.4	208.0	148.0	22.0
100.0	125.4	127.0	26.6	57.4	218.0	154.0	22.0

- DIMENSIONS IN MILLIMETERS.